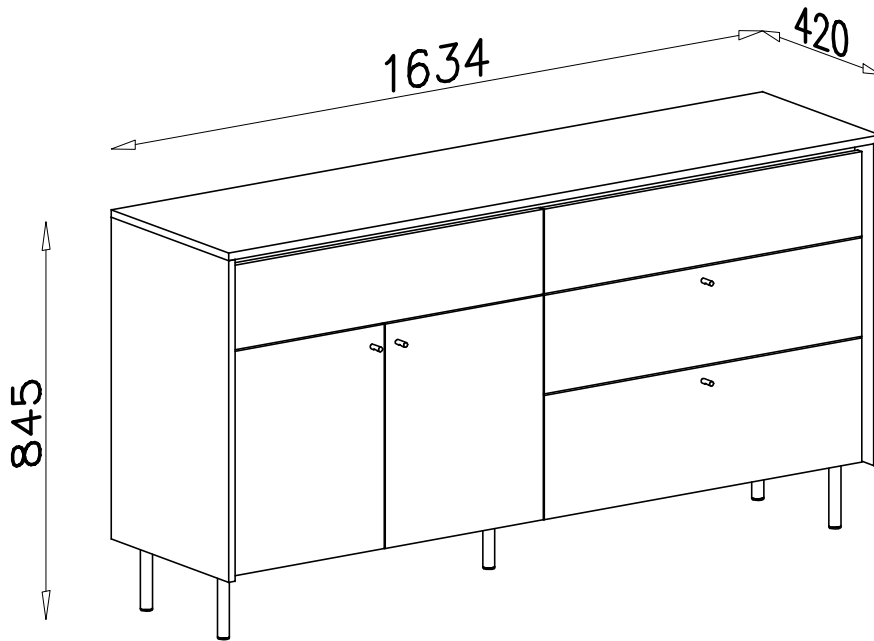
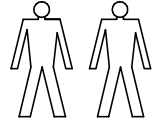
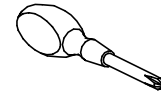
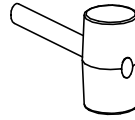
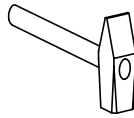
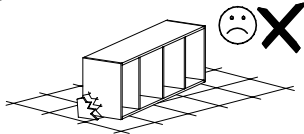
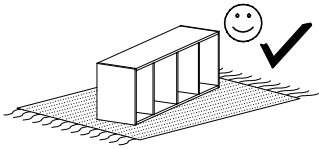
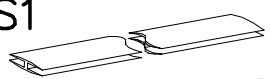
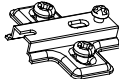
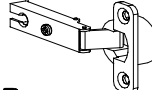

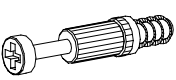




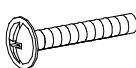

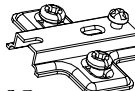
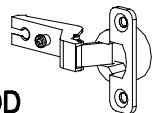

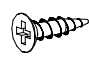

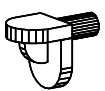
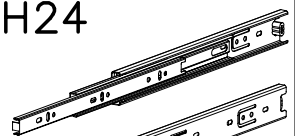


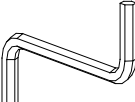

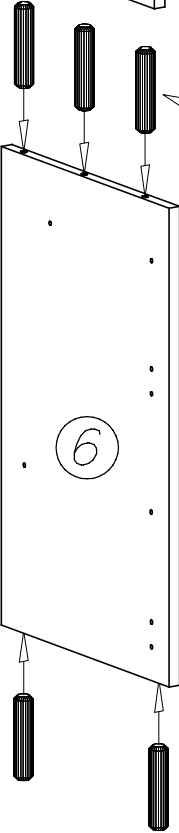
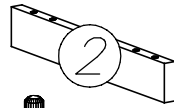
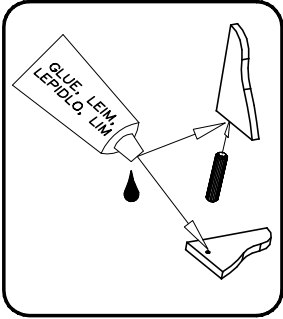
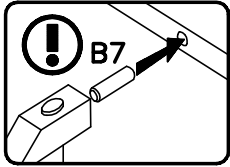


MALTA MA 6

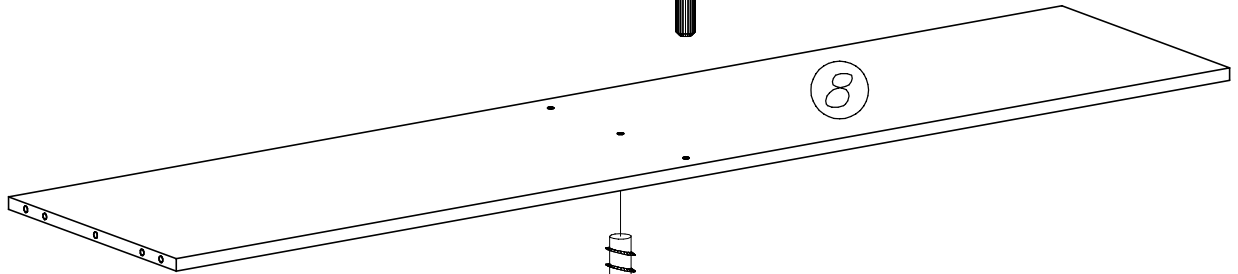


	S1  665mm x2	D3  PZ35PR x2	C3  Z35PR x2	I7  ø18 x14
K5  x14	K1  ø15x12 x14	S2  x5	S9  x5	P6  x5
N13  M4x22 x4	W1  GLUE, LEIM, LEPIDLO, LIM x3	D4  PZ350D x2	C4  Z350D x2	
E13  x4	G4  4x16 x23	G2  3x20 x60	F1  x4	H24  350mm x4
A1  ø7x50 x1	B7  ø8x30 x54	W2  x1	G1  4x13 x40	

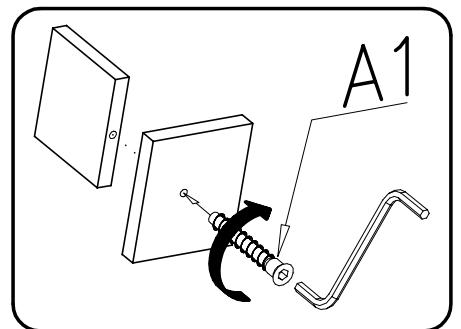
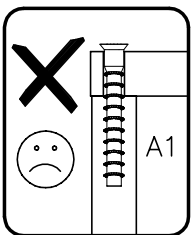
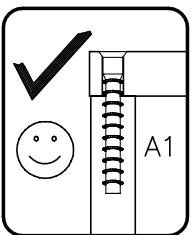
1

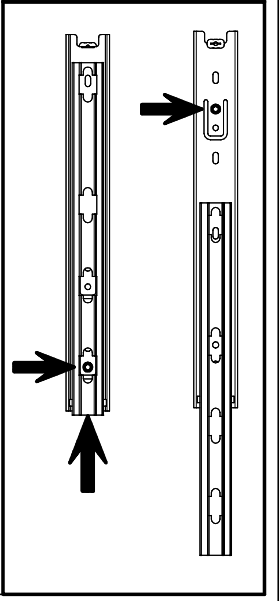
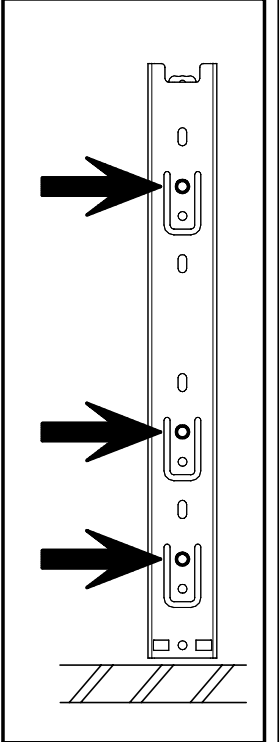
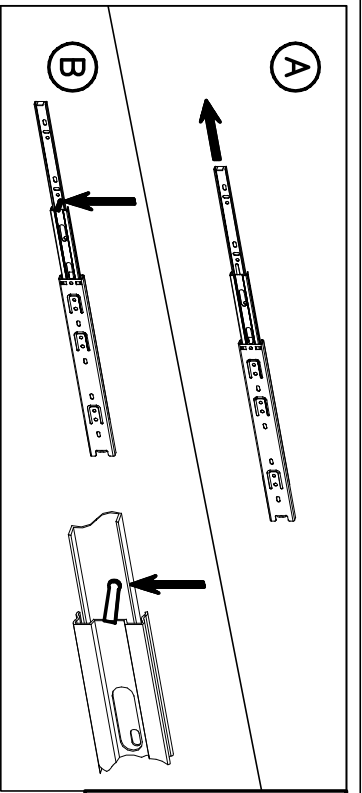


B7

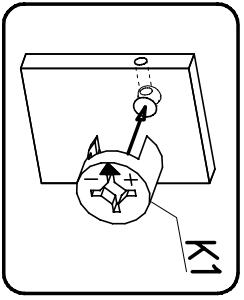
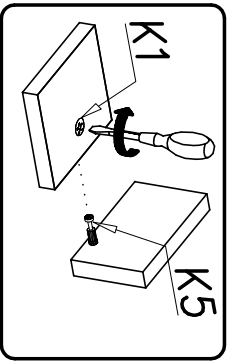
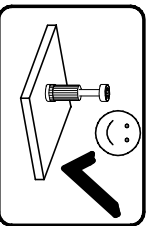
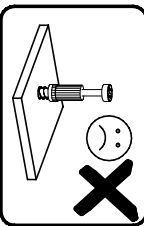
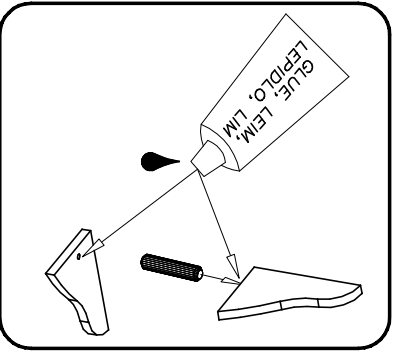
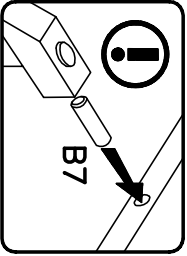
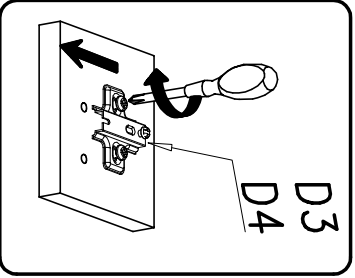
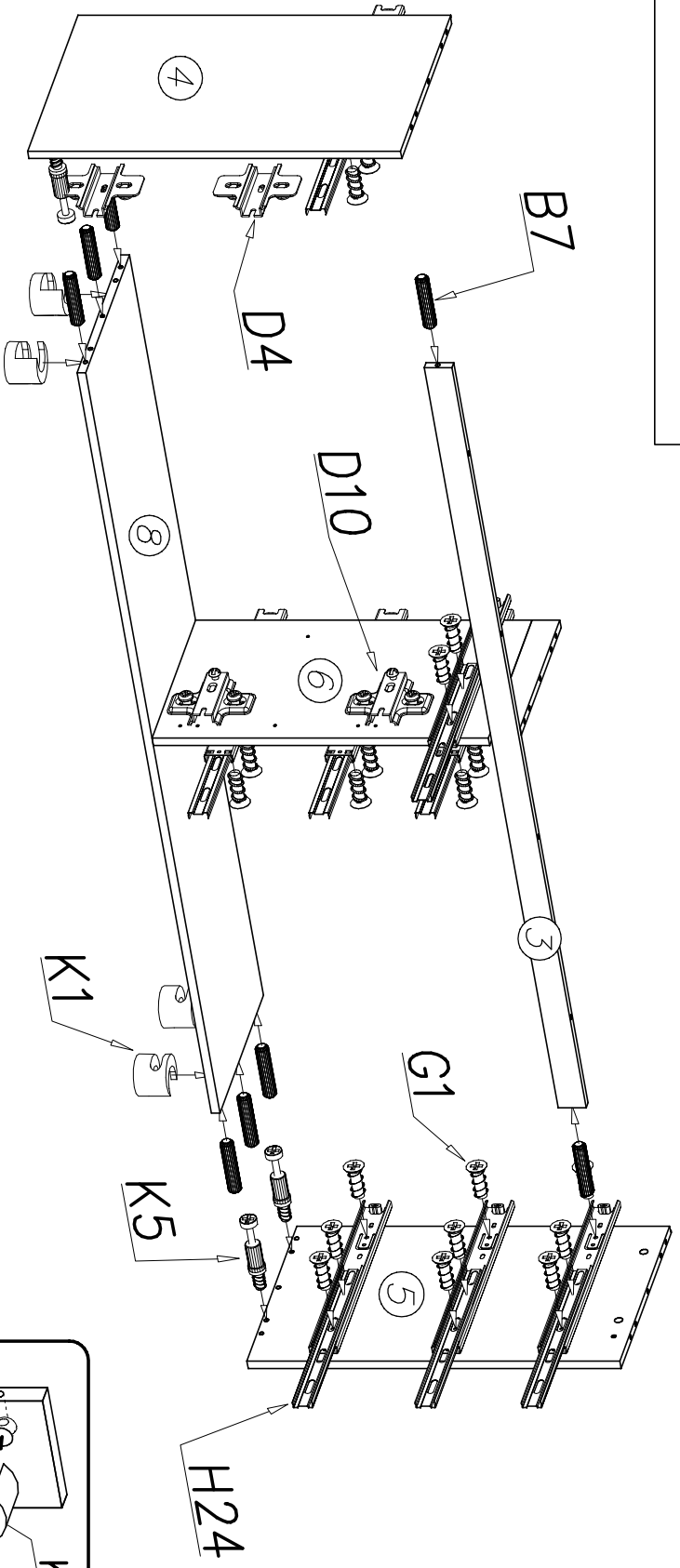


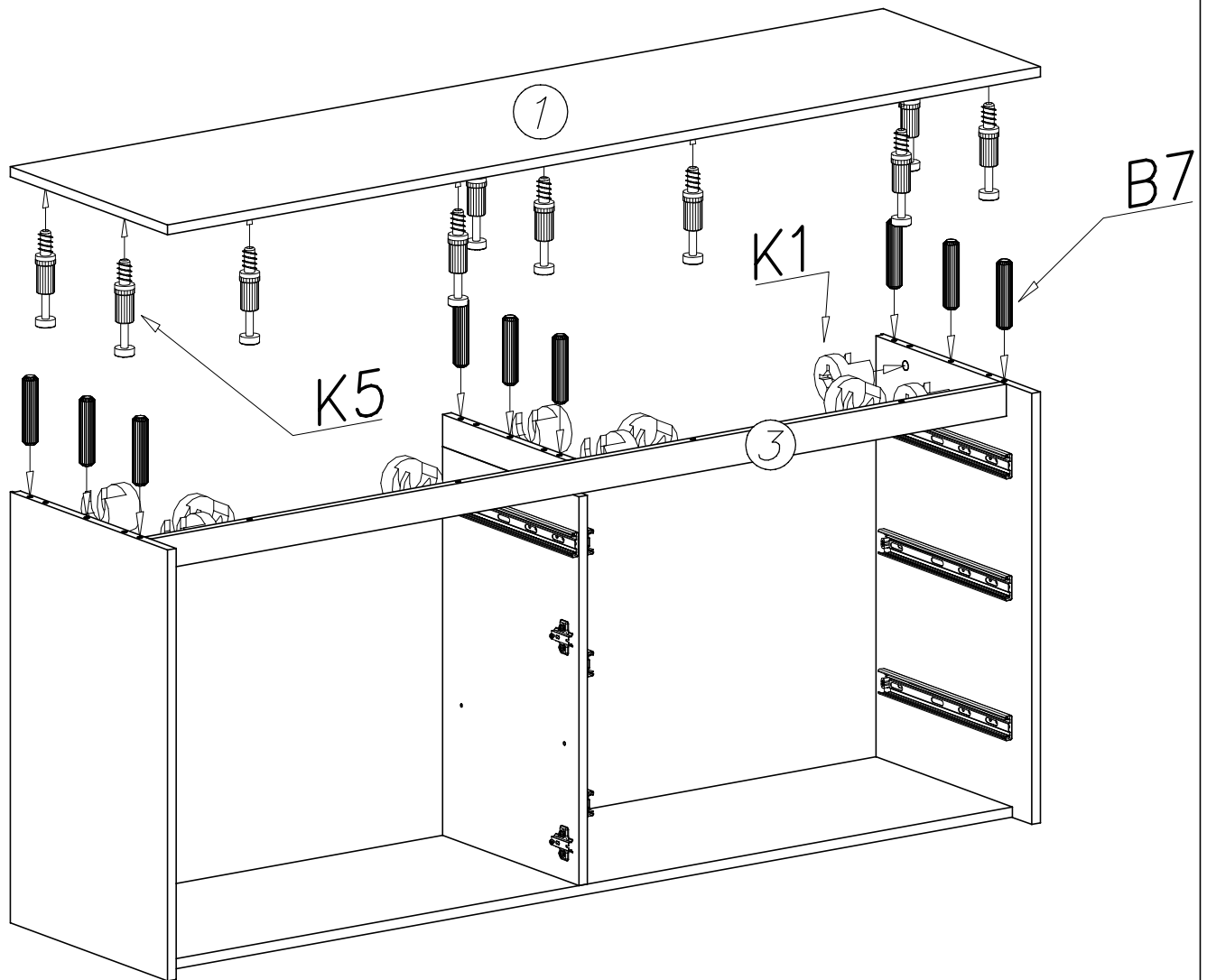
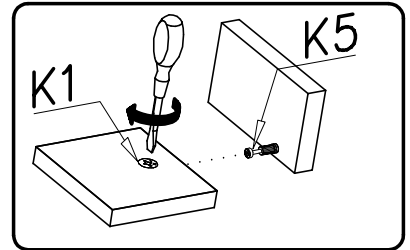
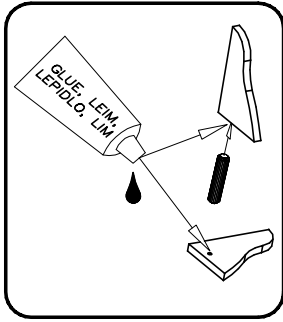
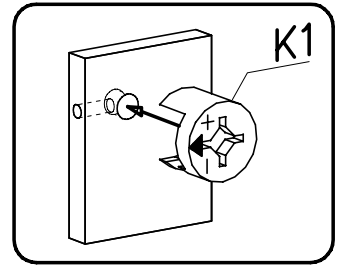
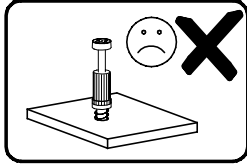
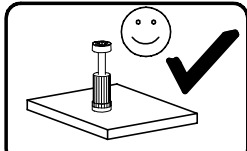
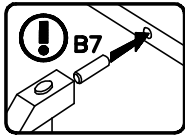
A1

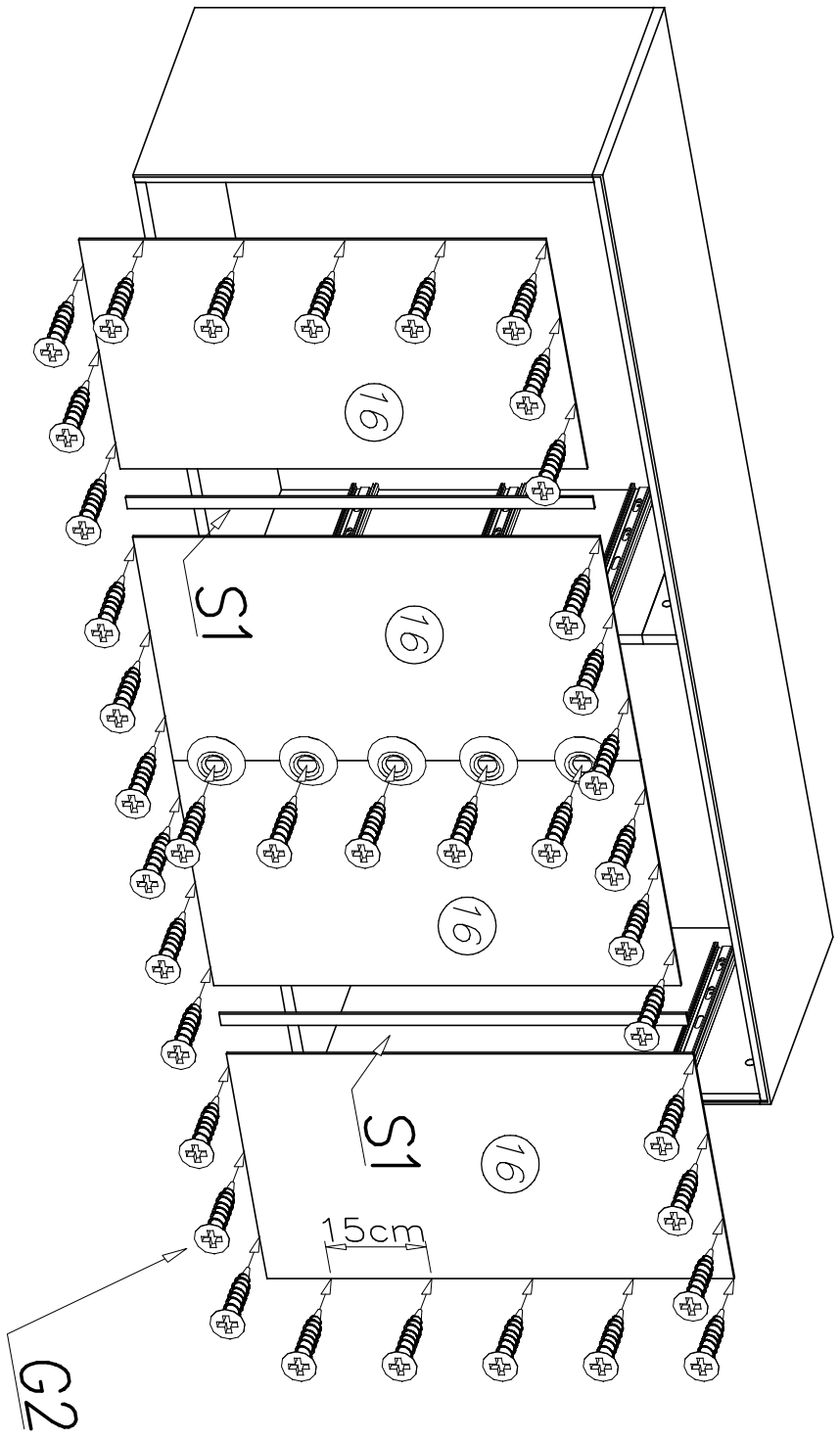
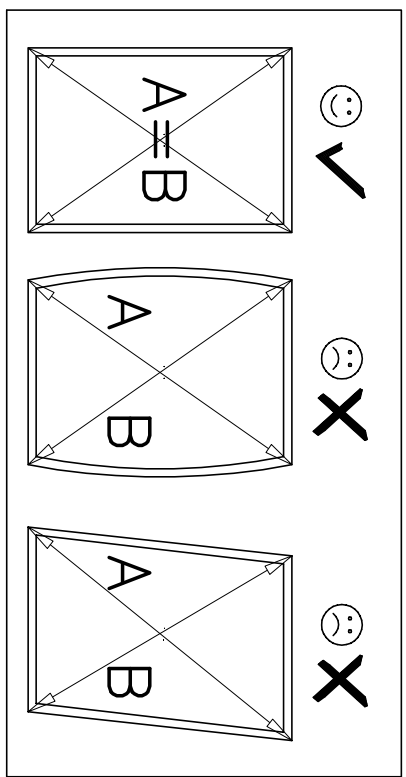




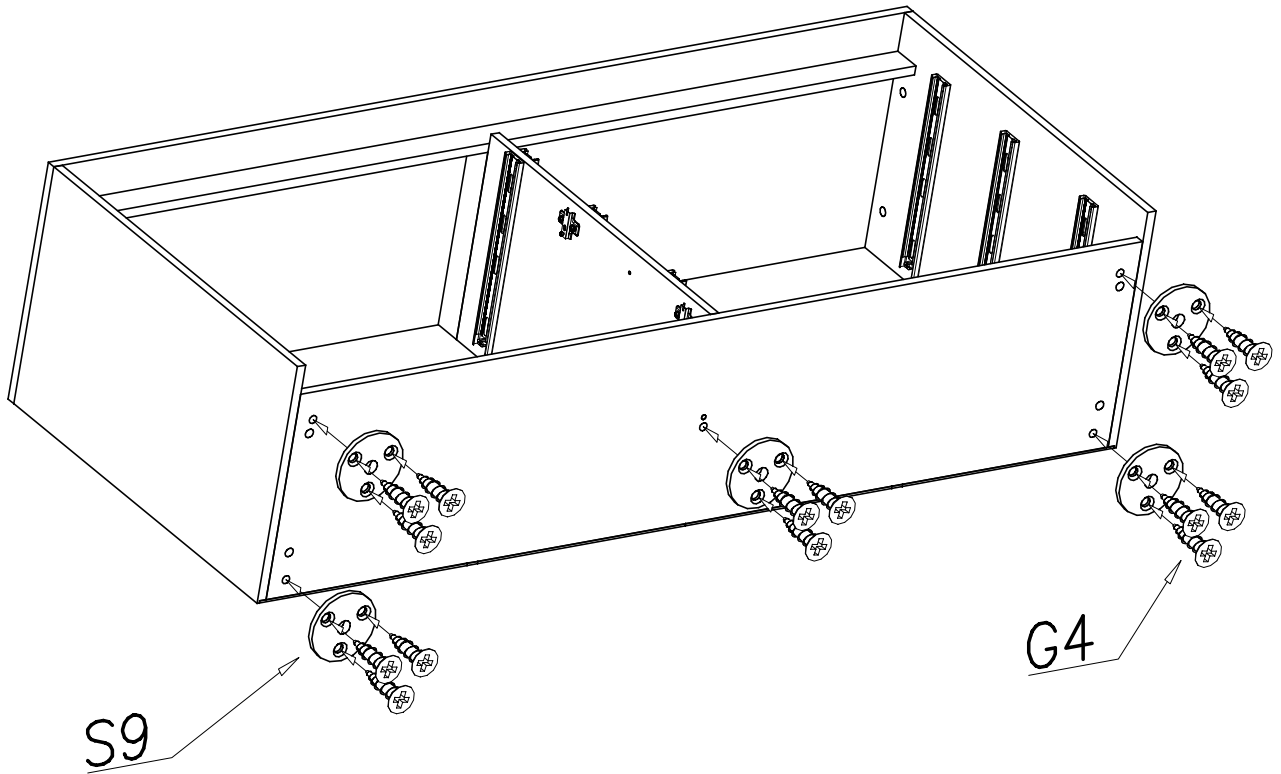
II



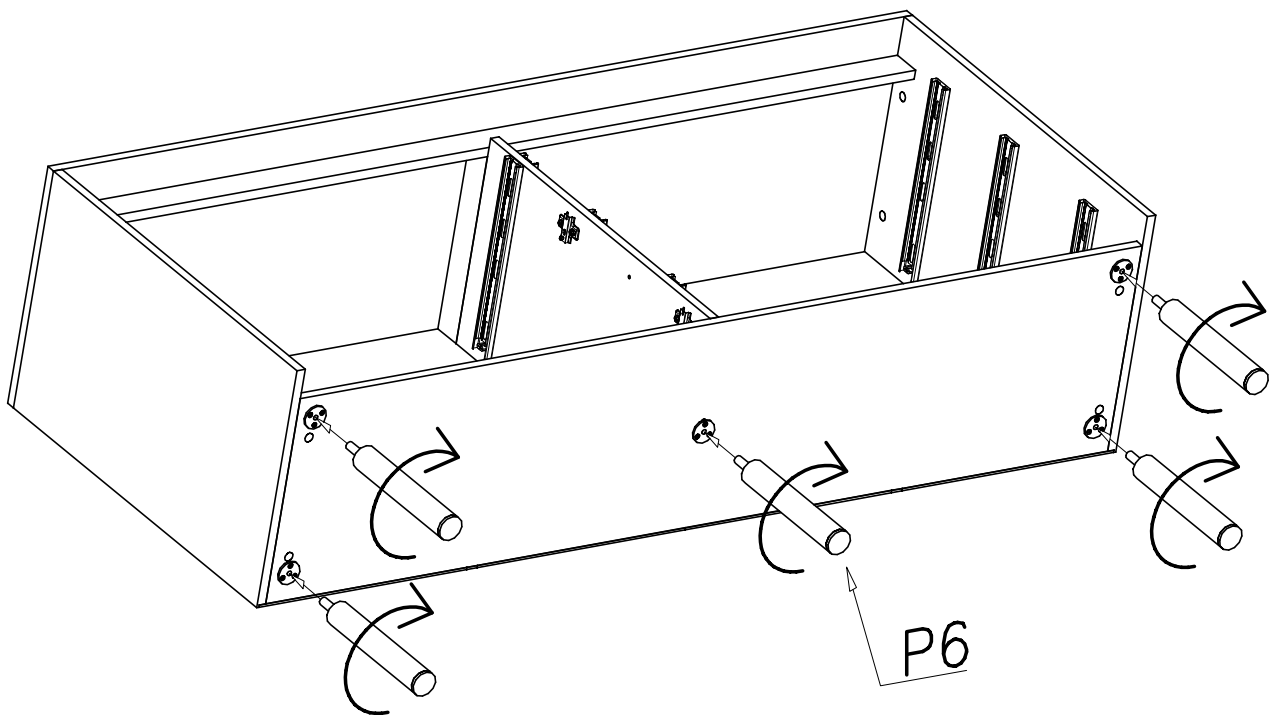




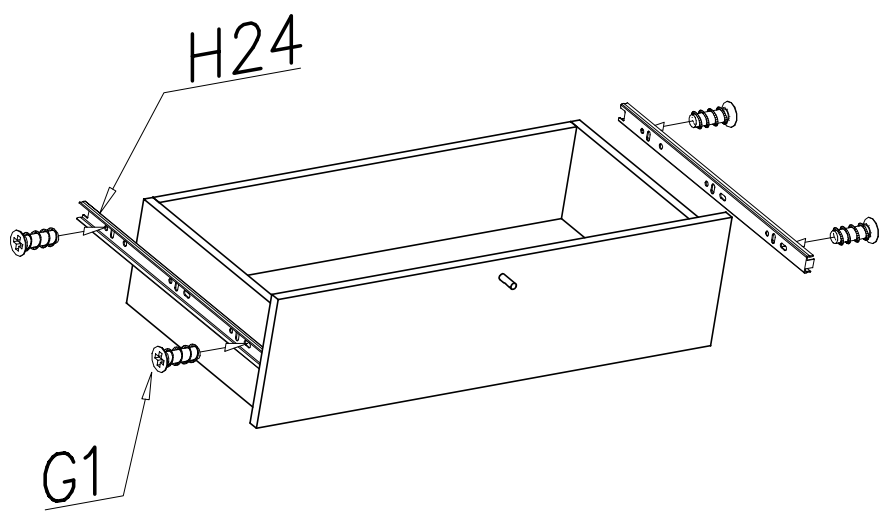
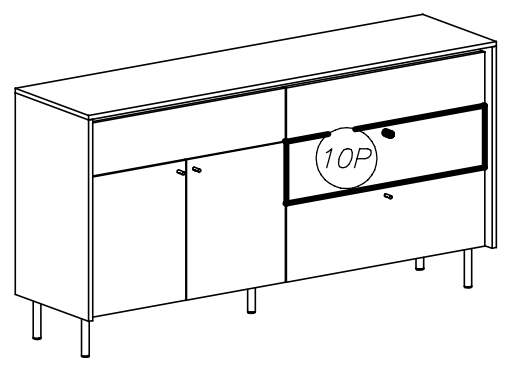
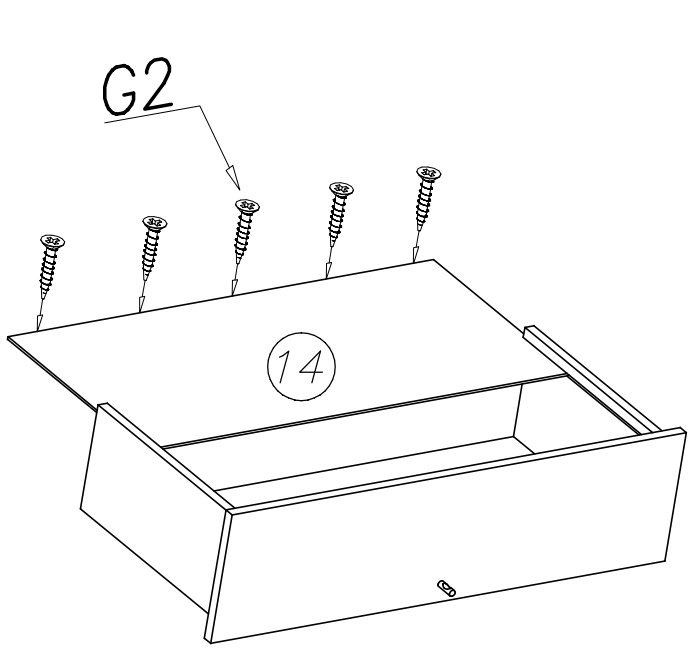
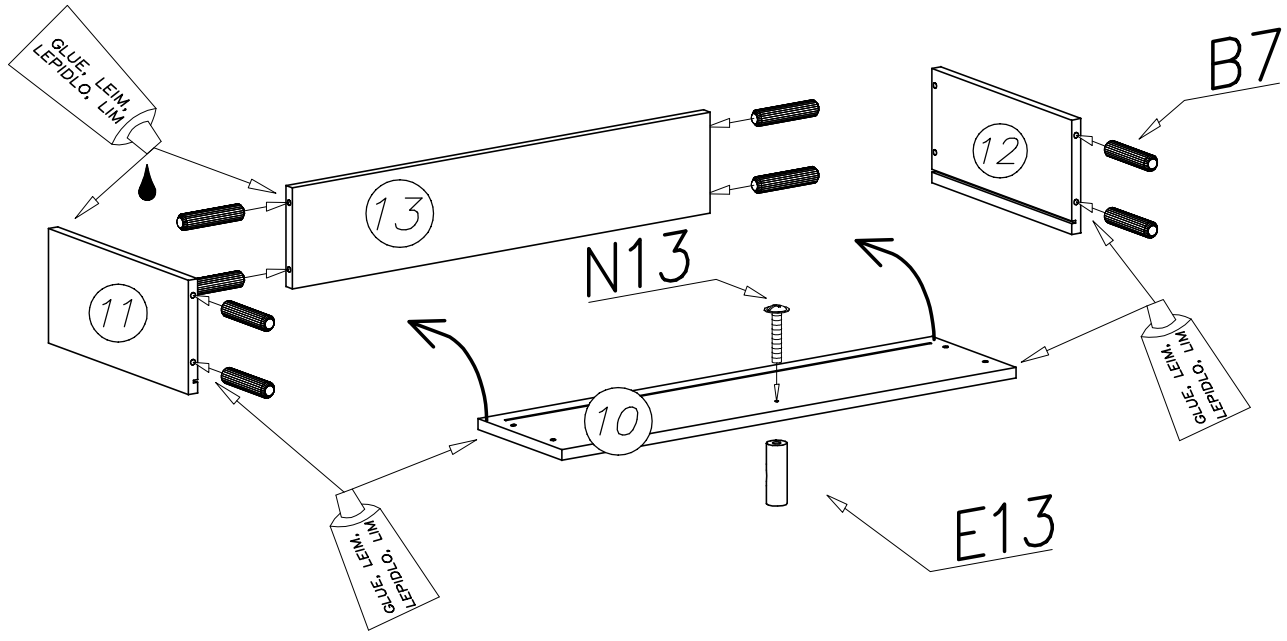
V



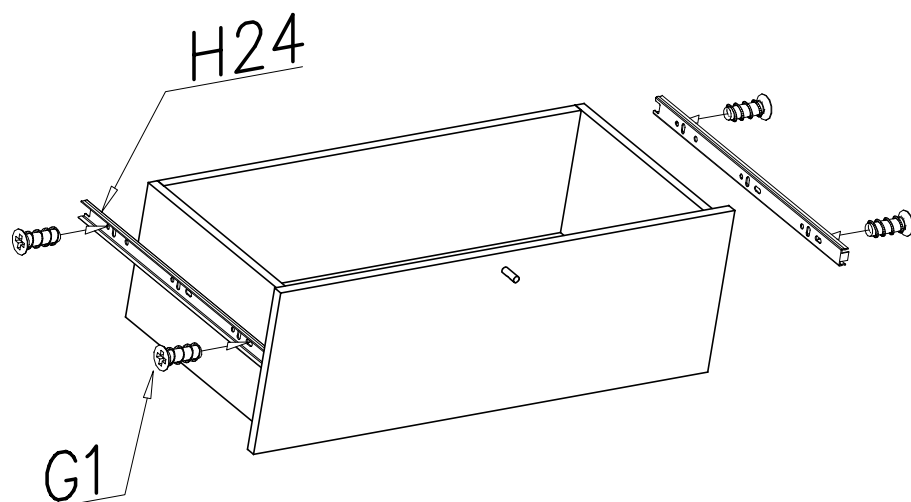
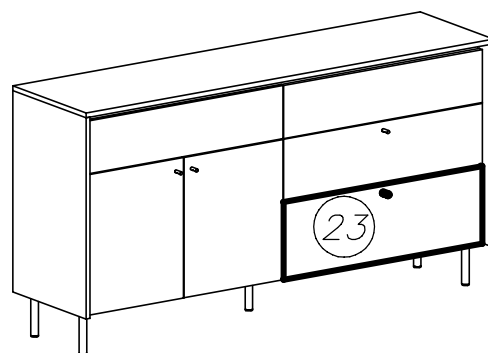
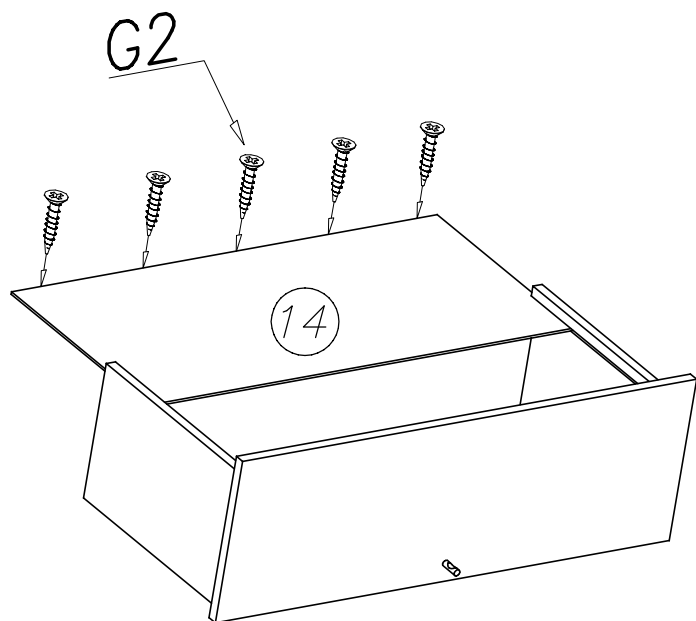
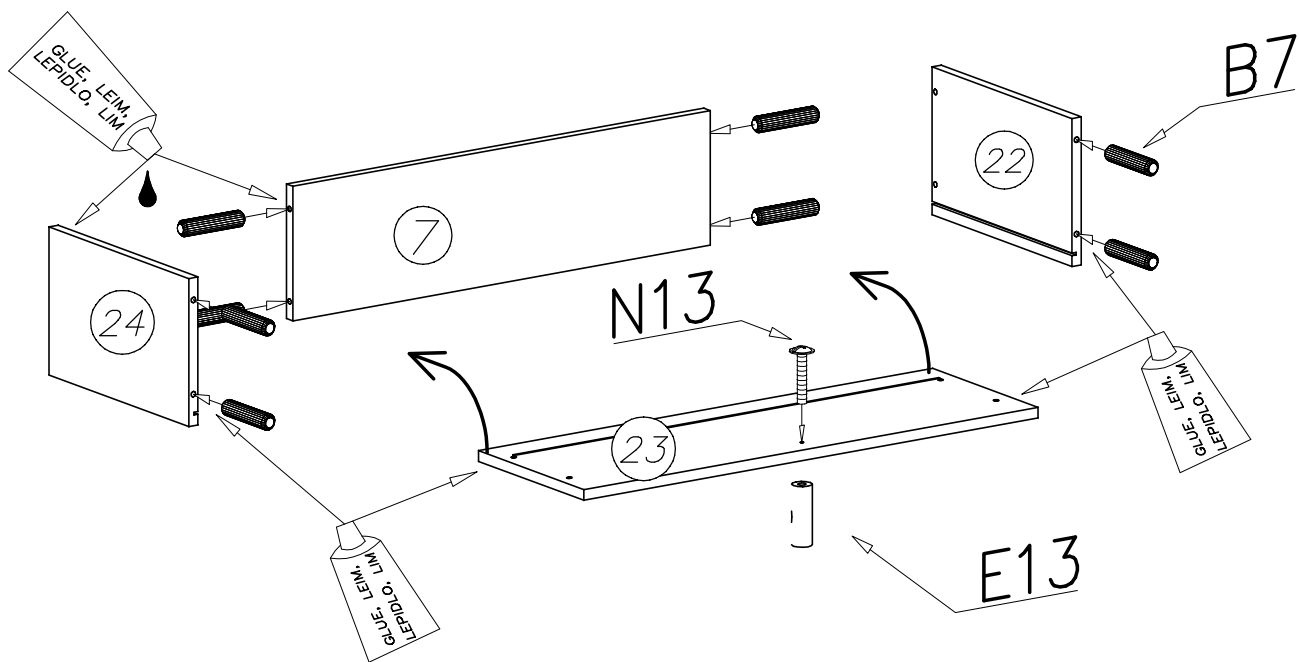
VI



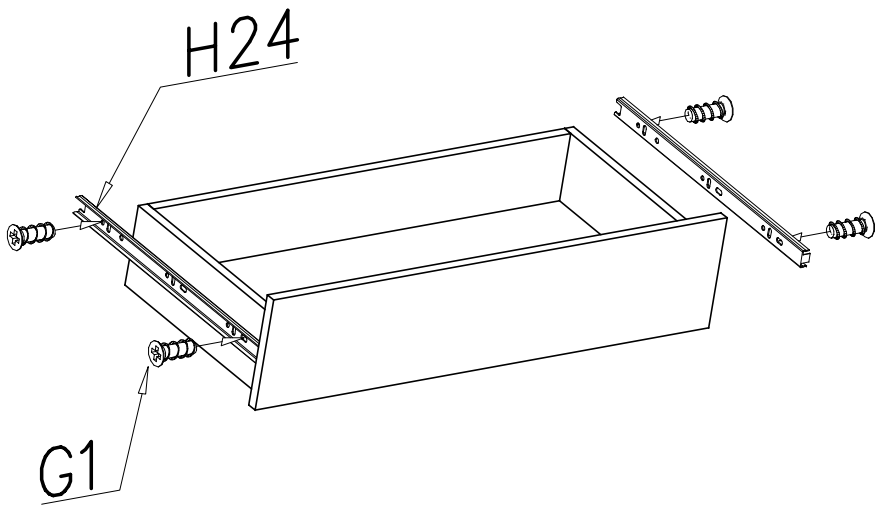
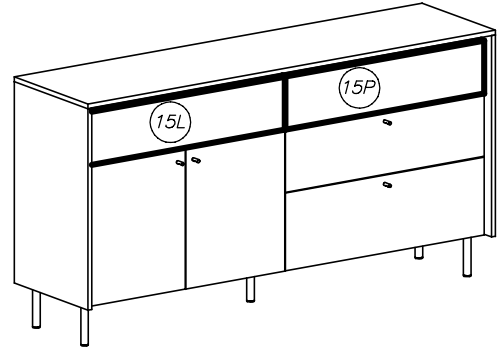
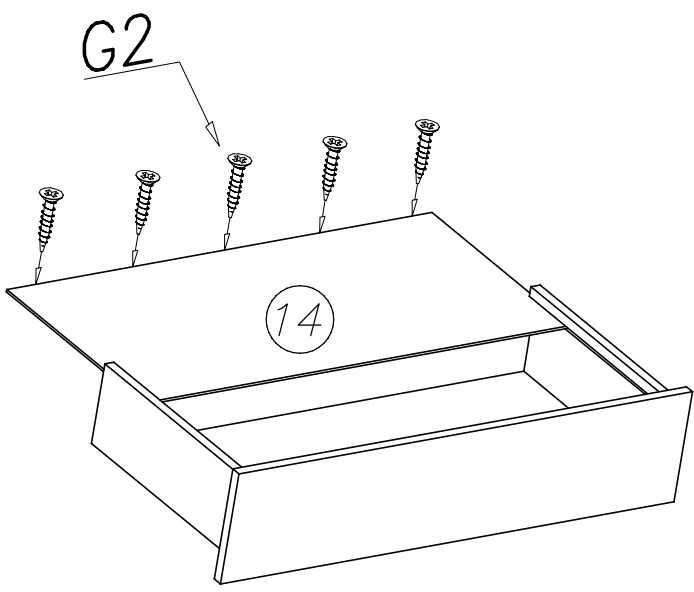
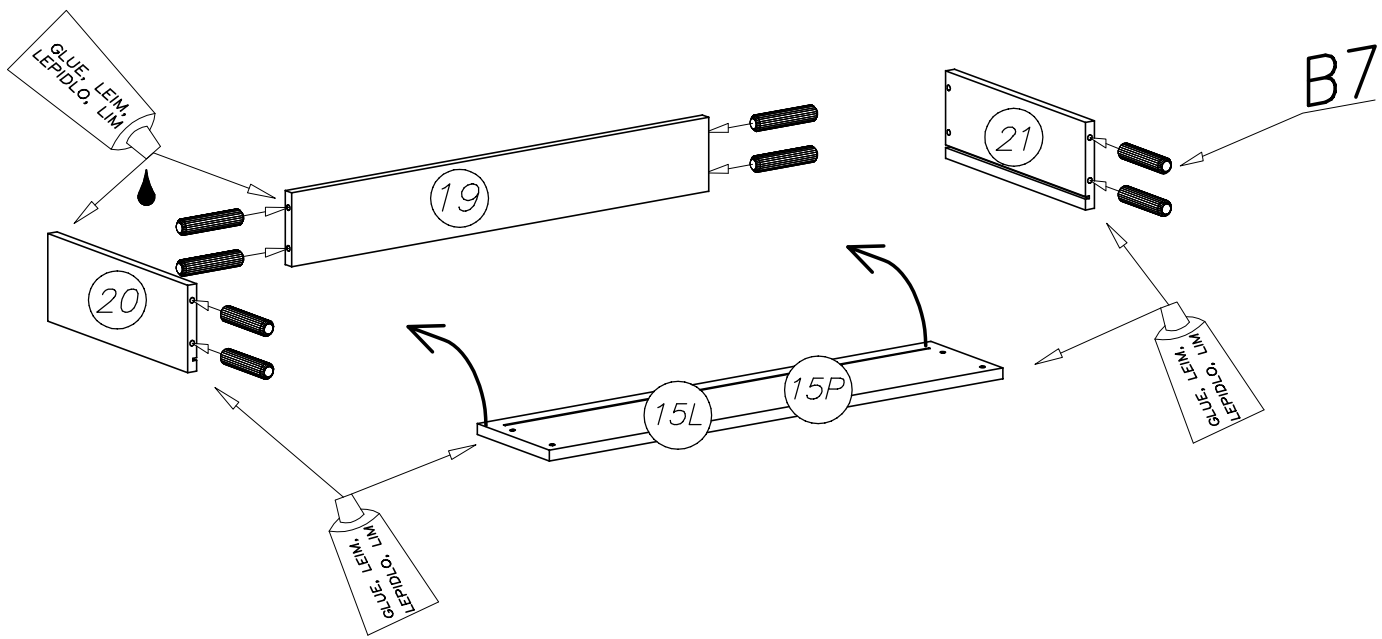
VII



VIII

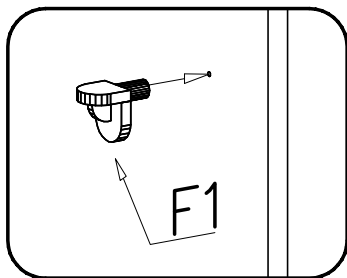


IX

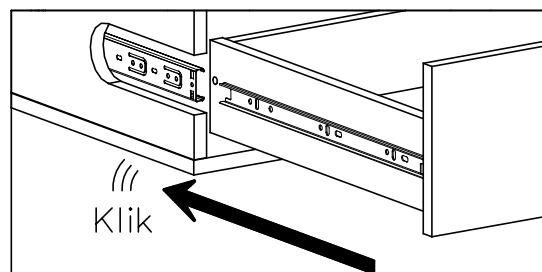
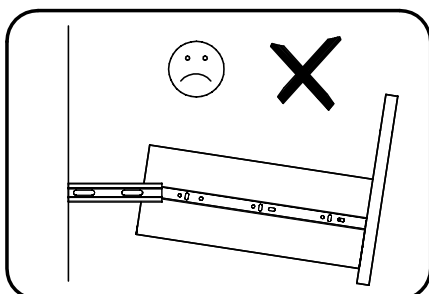
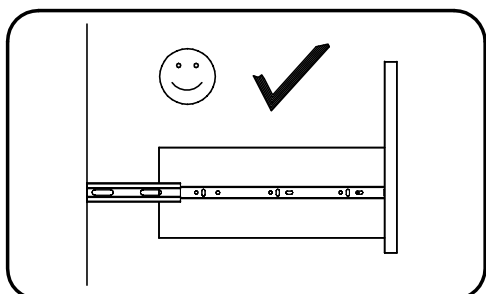
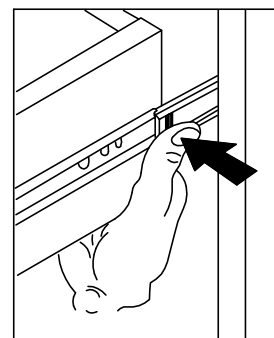
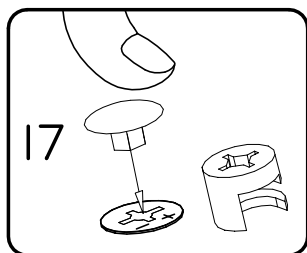
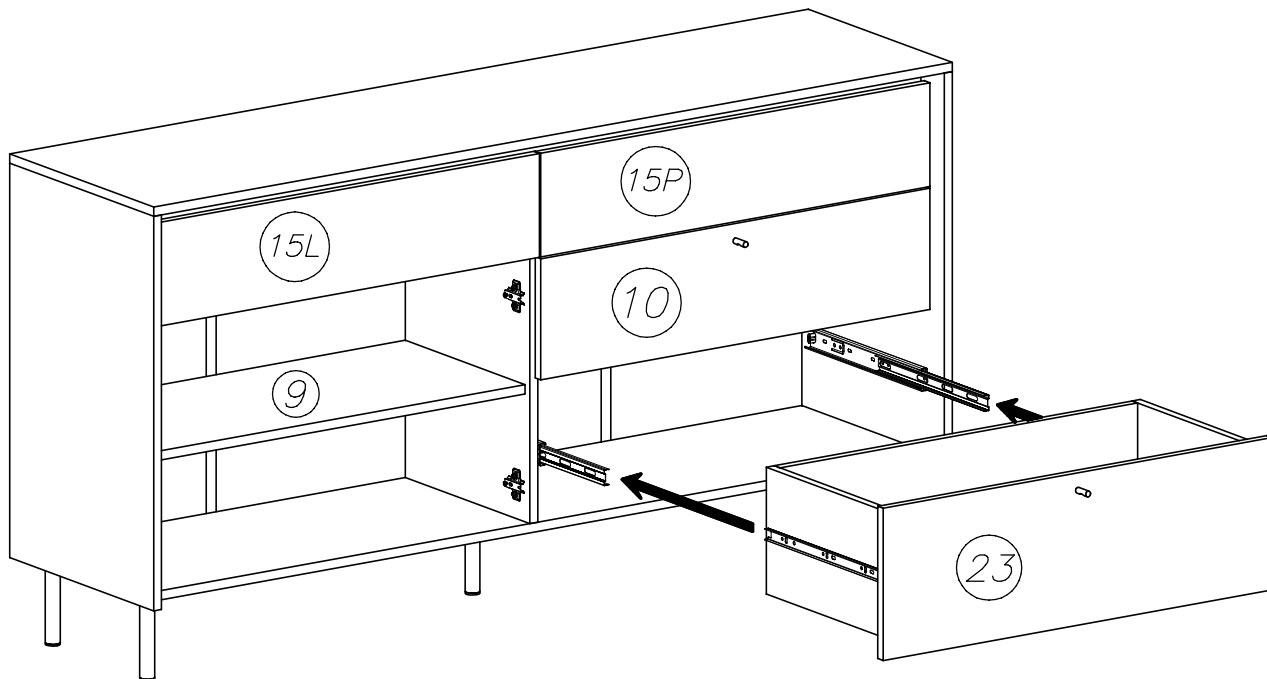
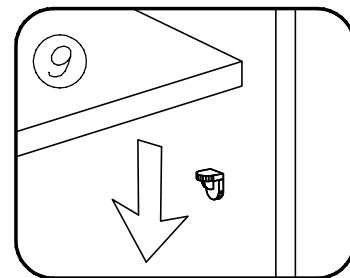


(X)

1



2



XI

